

# Propeller set



**Cylinders**



model	HY 100 G 1 U		HY 100 G 3.5 U
art no	120.012.001		120.012.011
working pressure bars/Mpa	2000 / 200		2000 / 200
capacity kN/t	1000.5 / 102		1000.5 / 102
oil content cm <sup>3</sup>	50		176
effective pressure area cm <sup>2</sup>	50.27		50.27
weight kg	6		8.1
incl. coupler	Y 218 female (2x)		Y 218 female (2x)
maintenance set art no	120.403.001		120.013.001
A mm	49		85
B mm	25		24

**Selection chart** max. number of cylinders for propeller shaft diameter 200 until 550 mm

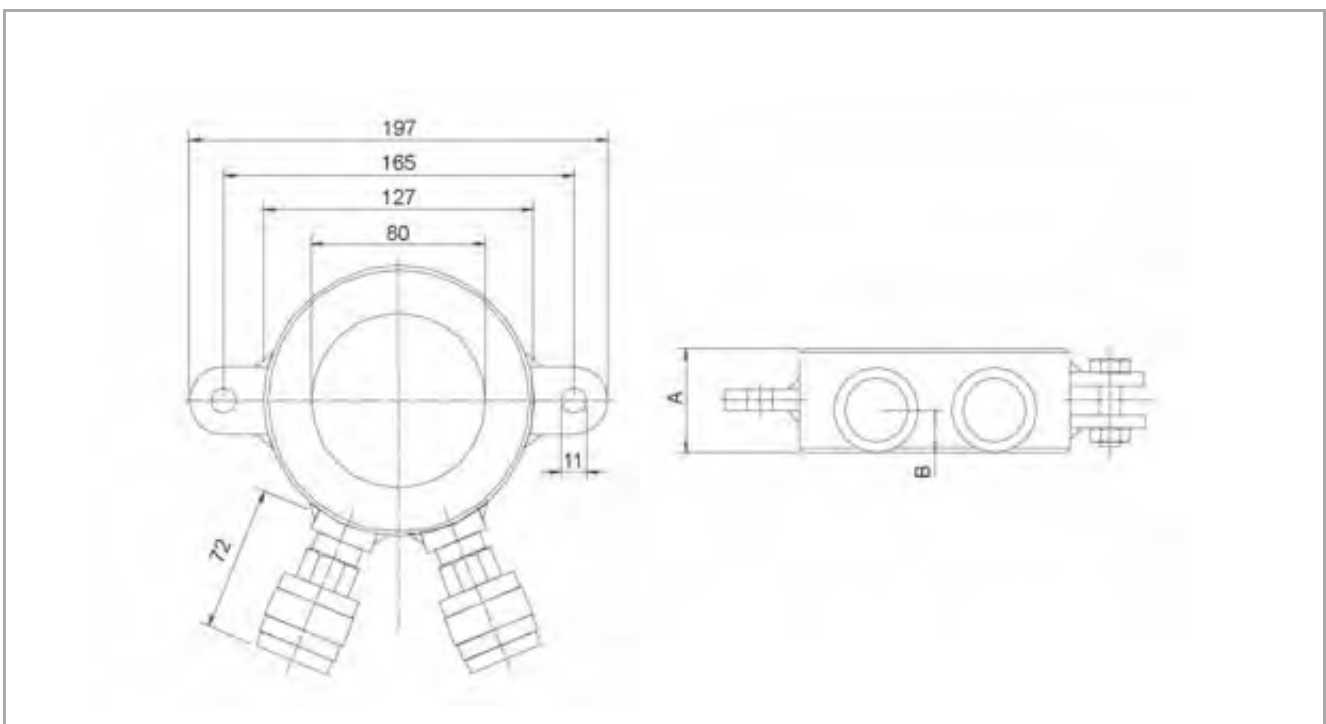


propeller shaft dia. mm	200	250	300	350	400	450	500	550
propeller shaft dia. inch	8	10	12	14	16	18	20	22
max. number of cylinders	7	8	9	10	11	12	13	14
max. available force ton	700	800	900	1000	1100	1200	1300	1400
max. available force kN	6867	7848	8829	9810	10791	11772	12753	13734

**Selection chart** max. number of cylinders for propeller shaft diameter 600 t/m 1000 mm



propeller shaft dia. mm	600	650	700	750	800	850	900	950	1000
propeller shaft dia. inch	24	26	28	30	32	34	36	38	40
max. number of cylinders	15	15	16	17	18	19	20	21	22
max. available force t	1500	1500	1600	1700	1800	1900	2000	2100	2200
max. available force kN	14715	14715	15696	16677	17658	18639	19650	20601	21582



**Specifications / important properties** ↓

- compact
- lightweight
- can be adjusted to fit each propeller shaft diameter by coupling using connecting plates

**Available on request** ↓

- cylinders manufactured in conformity with customer specifications

Pumps	pag. 132
Hydraulic hoses	pag. 133
Couplers	pag. 134
Accessories	pag. 134



HY 100 G 1 U



HY 100 G 1 U



**Pumps - 2-stage - single-acting** 

model	HTWY 2300 U
art no	120.442.001
working pressure bars/Mpa	2000 / 200
max. operating force kg	36
output 1 <sup>st</sup> trap cm <sup>3</sup> /stroke	31
output 2 <sup>nd</sup> stage cm <sup>3</sup> /stroke	1.6
max. pressure 1 <sup>st</sup> stage bars	30
effective oil content cm <sup>3</sup>	2300
weight incl. oil kg	16
incl. coupler	Y 218 female
maintenance set art no	120.443.001

**Specifications** / important properties 

- compact and lightweight
- low maintenance
- suitable for large volumes
- automatic transition from first to second stage
- large pump output per stroke
- provided with dipstick



HTWY 2300 U

**Single hoses 2000 bars**


model	Y 1.5 MK	Y 3 MK	Y 5 MK
art no	120.571.115	120.571.130	120.571.150
length	m 1.5	3	5
connection	M14 x 1.5 swivel (2x)	M14 x 1.5 swivel (2x)	M14 x 1.5 swivel (2x)

**Extension hoses 2000 bars**


model	Y 1.5 MKU	Y 3 MKU	Y 5 MKU
art no	120.572.115	120.572.130	120.572.150
length	m 1.5	2	5
connection	Y 219 male (2x)	Y 219 male (2x)	Y 219 male (2x)

**Specifications / important properties**


- single hoses with:
  - M14 x 1.5 swivel connection on both sides
  - threefold safety
  - colour: blue
- extension hoses with:
  - coupler male, Y 219 on both sides
  - threefold safety
  - colour: blue



Y 3 MK



Y 3 MKU

**Couplers and accessories**



image	description	model	art no
	coupler, female, including steel dust cap <ul style="list-style-type: none"> <li>• connection: M22 x 1.5 male</li> <li>• fits: Y 219</li> </ul>	Y 218	120.481.218
	coupler, male, including steel dust cap <ul style="list-style-type: none"> <li>• connection: M22 x 1.5 female</li> <li>• fits: Y 218</li> </ul>	Y 219	120.481.219
	nipple <ul style="list-style-type: none"> <li>• connection: M14 x 1.5 male - M22 x 1.5 male</li> <li>• for mounting Y 219 or Y 218 on loose hose</li> </ul>	-	120.181.201
	pressure gauge, 0-2000 bars, including protection frame <ul style="list-style-type: none"> <li>• pressure gauge Ø 162 mm</li> <li>• including coupler female, Y 218 (included)</li> </ul>	Y 220 U	120.182.220
	rotation elbow <ul style="list-style-type: none"> <li>• including coupler male, Y 219 en coupler female Y 218</li> </ul>	Y 215 U	120.182.215
	connecting plate <ul style="list-style-type: none"> <li>• centre to centre size: 84 mm</li> </ul>	Y 200	120.481.200
	suspension hook	Y 205	120.181.205