

# Holmatro

industrial cutting tools



 **holmatro**  
mastering power

CIS (Holmatro) Ltd, 25 Hatton Close, Moulton Park Ind. Est., Northampton, NN3 6SU. Tel:- +44(0) 1604 642020 | Fax:- +44(0) 1604 642323

Web:- [www.700bar.com](http://www.700bar.com) Mail:- [sales@700bar.com](mailto:sales@700bar.com)



### Mastering power

Holmatro products are all about the principle that only controlled power can be deployed effectively. We have expressed this vision in the slogan 'Mastering Power' which applies perfectly to both business units that together form the Holmatro Group. Industrial Equipment is about applying and mastering high pressure power in heavy industrial and marine applications. And with Rescue Equipment it is a matter of life and death for fire brigades and rescue organisations to work in a controlled, precise and well-thought-out way with the proper equipment.

[www.holmatro.com](http://www.holmatro.com)



Scan the Holmatro company movie







## → Introduction

<b>About</b> Holmatro .....	6
<b>What Holmatro</b> stands for .....	7
<b>Industrial</b> cutting tools .....	8
<b>Product</b> applications .....	10
<b>Features</b> hydraulic cutter .....	11
<b>Industrial cutter</b> blades .....	12

## → Hydraulic cutters

<b>Mobile cutters</b> .....	14
<b>Stationary cutters</b> .....	16
<b>Mobile pumps</b> .....	18
<b>Stationary pumps</b> .....	19
<b>Extremely durable pumps</b> .....	20
<b>Hoses</b> .....	21
<b>Accessories</b> .....	22

## → Hydraulic cable cutters

<b>Steel cable cutters</b> - spring return .....	26
<b>Power cable cutters</b> - spring return .....	27
<b>Power cable cutter</b> - hydraulic return .....	28
<b>Minicutter</b> - spring return .....	29
<b>Hand pumps</b> - single-acting .....	30
<b>Hand- / footpumps</b> - single or double-acting .....	32
<b>Compact electropump</b> - single-acting - 2-stage ..	34
<b>Compact airpump</b> - single- or double-acting .....	35
<b>Hydraulic hoses</b> .....	36
<b>Pressure gauges</b> .....	37

## → Electrohydraulic cutters

<b>Reinforcing steel cutters</b> .....	40
<b>Prestressing strand cutter</b> .....	41
<b>Multifunctional tool</b> .....	42

## → Service

<b>Repair, maintenance</b> , testing and certification ...	44
--	----







Holmatro, founded in the Netherlands in 1967, originally traded in high-pressure hydraulic tools for the shipbuilding industry. Nowadays we design, develop, manufacture and deliver mainly hydraulic products that are used by various user groups all over the world. Our strategy, products and service are aimed at helping customers to succeed in mastering the power they need.

The operative organisation, the Holmatro Group, comprises two business units; Industrial Equipment and Rescue Equipment.

Industrial Equipment is specialist in the field of high pressure hydraulic, pneumatic and mechanical tools. The extensive product range includes cylinders, pumps and systems for generating and controlling precision power in various industrial applications, cutters for recycling and demolition work, foundry wedges for the metal industry and also on-board hydraulics meeting the needs of modern and classic yacht sailors. In addition to standard tools, Industrial Equipment has a proven track record in the field of special projects and service.

Rescue Equipment is global market leader in the area of rescue tools that are renowned for their high quality and performance. The hydraulic cutters, spreaders, rams and pumps are used by various services, including fire departments and rescue organisations.

[www.holmatro.com](http://www.holmatro.com)



**The power of innovation**

In order to maintain our leading position as a specialist in high pressure hydraulics, we continuously invest in research and product development. It is our ambition to continue to develop innovative solutions combining extreme power with controllability, user friendliness and safety. Our product development is fully focused on finding result-oriented solutions for specific markets and applications. To achieve this, we closely work together with you, the professional user.

**Quality in everything we do**

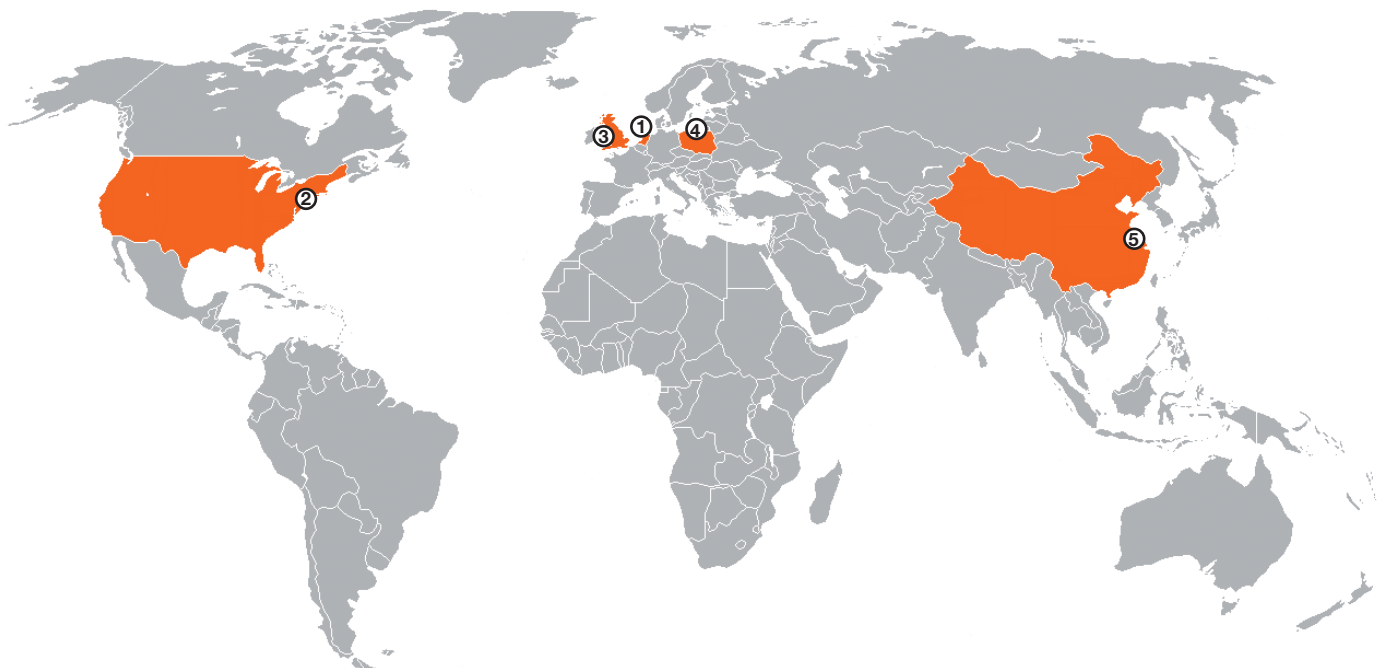
At Holmatro we work according to the ISO 9001 Quality Management Standard and the SCA\* Safety Health and Environment management system. Our products comply with all international standards such as the European EN 13204, EN 13731 and the American NFPA 1936. Holmatro tools are developed, manufactured and maintained in conformity with the highest quality standards of durability, side load, mechanical distortion and overpressure. As they must be resistant to the most extreme conditions, our products are thoroughly tested before they are authorised for use in practice.



**(Inter)national sales network**

World-wide spread Holmatro dealers are committed to the same quality standard. Our dealers that are fully trained in our own training centre guarantee you optimum service and advice.

Besides the head office in the Netherlands, Holmatro has manufacturing plants and sales offices in the Netherlands and the United States and representative offices in the United Kingdom, Poland and in the People's Republic of China.



Holmatro **Nederland**  
①

Holmatro **USA**  
②

Holmatro **UK**  
③

Holmatro **Polen**  
④

Holmatro **China**  
⑤





# Industrial **cutting tools**

The Holmatro industrial product line includes a wide range of hydraulic cutting tools specially developed for markets such as recycling, demolition, nuclear industry, foundry and construction. Our experience provides us the technical expertise needed to offer you adequate solutions for almost any cutting application you can think of.









### Vehicle recycling

Thanks to their low weight and the special blade design, Holmatro's mobile cutters are ideal for car recycling. The lightest cutter only weighs 9.4 kg, and the special U-shaped blades pull the material towards the strongest point of the cutter. Therefore, they are perfectly suitable for cutting catalytic converters, exhaust pipes, doors, A- and B-posts, drive shafts (hollow), engine mountings, steering columns, bumpers, bull bars and pressed steel wishbones.



### Cable recycling / production

Cutting cables (ground, telephone, electro and steel) is a skill on its own. Generally, this type of cable consists of countless small wires and strands which, during cutting actions, often inadvertently get in between the cutter blades. Situations like this cause loss of capacity. Moreover, it has proven to be detrimental to the life span of cutting tools. Therefore, Holmatro has developed cutter blades with a special blade guide. This feature keeps the blades straight in relation to each other and prevents them from separating or becoming distorted.



### Recycling of household appliances

For the recycling of household appliances, such as refrigerators and deep-freezers, Holmatro has developed a special cutter. Its straight blades have cutting teeth and the spreading function of the cutter makes it easy to remove the compressor quickly without changing tools. The blades also enable the material to be pushed aside, in order to create space to cut pipes and cables, again with the same instrument.



### Demolition

In demolition, you can come across a hundred and more materials that need to be removed from all sorts of buildings and constructions. Very suitable for demolition applications and for handling the most diverse materials are Holmatro's cutters with short and standard blades. The standard blade is ideal for cutting bigger elements because of the U-shape, which pulls the material towards the strongest point of the cutter. The short blade is more suitable in those situations when less space is available, whereas a high cutting force is required.



### Concrete construction

In order to be able to work with reinforcement steel, very strong equipment is essential. Holmatro electric and hydraulic cutters are up to it! The cutting of reinforcement steel and pre-stressing stands (or re-bars) is done based on hydraulics, which is quick, safe, accurate and quiet. These cutters are able to cut diameters up to 32 mm easily and safely. A major advantage compared to grinding is the absence of sparks and the low noise level.





### Ergonomics

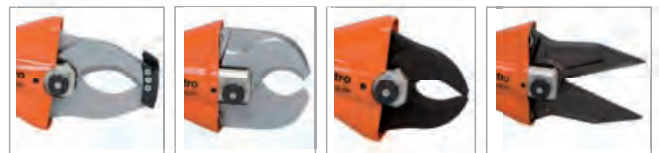
Holmatro stationary cutters are equipped with a rotation mechanism that makes it possible to rotate a tool in any direction and under any angle. The operator can cut objects without first having to place them in a particular position. This feature enables higher productivity levels. Of greater importance is the fact that the physical demands made on the operators were been greatly reduced.

The mobile cutters are lightweight, easy in use and transportation, and fitted with an adjustable handle.



### Quick and simple exchange of blades

Holmatro industrial cutter blades are very durable. In addition, they are extremely simple to change yourself, should you need to utilise your cutter for a wider range of applications.



### Safe to operate, easy to use

As well as being extremely user-friendly, Holmatro industrial cutters are outstanding in the safety of their operation. Attributes such as the dead man's function, shielding of all moving parts, greatly limit the chances of accidents happening. Another feature is the fact that the tools can only be operated by using both hands.

### Mobile or stationary

#### Mobile

The mobile cutter is specially developed for use 'in the field'. Examples of this are the removal of old pipelines (e.g. old petrol stations), building demolition, cutting electricity or telephone cables, etc. For this model, the accent is placed on mobility. Mobile cutters are constructed from high-grade aluminium resulting in strong yet very light tools. The pump units are also specially developed for mobile use. The pumps, electric- or petrol-driven, are compact and light in weight, enabling work to be carried out at locations that are difficult to access. A complete cutter set consists of a mobile cutter (pages 6 and 7), a mobile pump (pages 12 and 13) and a hose (page 15). Various accessories are available (page 9).



#### Stationary

The stationary cutter is specially developed for continuous use, like, for example, processes whereby repeated tasks (cutting, flattening, and tearing) are carried out at a fixed point on the production line. For this model, the accent is placed on durability (high load frequency) and ergonomics (prolonged physical demands). Stationary cutters are constructed from high-grade steel. A balancer compensates the weight increase in comparison to the portable aluminium model. The hydraulic pump is also adapted to meet the demands of continuous use. A complete stationary cutter set consists of a stationary cutter (page 8), a stationary pump (page 13) and a hose (page 15). Various accessories are available (page 9).








Which set of cutter blades is the most suitable for your application? Look up the application of your choice in the table on this page and find out which set of blades corresponds with it. When in doubt, please contact Holmatro.

Note that the various cutter blades are interchangeable, extra hardened and regrindable.

applications	blade type	blade description
<b>Cable recycling and production:</b> telephone cables, ground cables, electro cables and steel cables.	10 cable	blade with special blade guiding
<b>Car recycling:</b> catalytic converters, exhaust pipes, doors, A- and B-posts, drive shafts (hollow), engine mountings, steering columns, bumpers, bull bars and pressed steel wishbones. <b>Demolition:</b> rod material, tube profiles, frames, construction materials, wood, roots (trees), fuel pipes, heating pipes, small cables. <b>Foundry:</b> removing risers and feeders from aluminium castings.	20 short	general short, parrot like blade
<b>Car recycling:</b> catalytic converters, exhaust pipes, doors, A- and B-posts, drive shafts (hollow), engine mountings, steering columns, bumpers, bull bars and pressed steel wishbones. <b>Demolition:</b> rod material, tube profiles, frames, construction materials, wood, roots (trees), fuel pipes, heating pipes, small cables. <b>Foundry:</b> removing risers and feeders from aluminium castings.	30 standard	general standard blade
<b>Recycling of refrigerators and other household appliances:</b> removing of compressor, cables, profiles. <b>Demolition:</b> steel plate, strip material, square profiles.	40 straight	blade with cutting teeth and spreading function
<b>Recycling of refrigerators and other household appliances:</b> removing of compressor, cables, profiles. <b>Demolition:</b> steel plate, strip material, square profiles.	60 combi	blade with cutting teeth and spreading / squeezing tips
<b>Demolition:</b> scrap, strip, profiles, frames, etc.	70 GP	blade with cutting teeth and parrot like end

Blade types



	ICU 05	ICU 10 / 20	ICU 40
10 cable			
20 short			
30 standard			
40 straight			
60 combi			
70 GP			



# Hydraulic cutters





## Mobile cutters ↓

model	ICU 05 A 10	ICU 05 A 30	ICU 05 A 60	ICU 05 A 70
art no	170.012.099	170.012.100	170.012.101	170.012.102
blade type	10 cable	30 standard	60 combi	70 GP
working pressure bars/Mpa	500 / 50	500 / 50	500 / 50	500 / 50
blade opening mm	95	98	191 / 266	142
cutting force kN/t	104 / 10.6	124 / 12.6	172 / 17.5	176 / 18.0
spreading force kN/t	-	-	153 / 15.6	-
weight kg	10.3	9.4	10.4	9.5
dimensions (lxwxh) mm	630x210x170	580x210x170	655x210x170	602x210x170
temperature reach °C	-20 +80	-20 +80	-20 +80	-20 +80
oil content cm <sup>3</sup>	37	37	37	37

### Specifications / important properties ↓

- lightweight, user-friendly and ergonomic
- flat lever hinge pin construction enabling optimum reach
- fast for an efficient (production) process
- stays on torque due to permanent locking of central bolt
- various blade types available
  - cutting capacities up to 18 ton
  - quickly and easily exchangeable
- safe
  - tools can only be operated by using both hands
  - dead man's function
  - guarded moving parts

### Available on request ↓

- cutters manufactured in conformity with customer specifications

### Accessories ↓

- torque wrench for central bolt
- service set (complete) in plastic carrying box
- pressure gauge connection set for checking the operating pressure
- leather protection sleeve for couplers between cutter and hose
- lubricants
- trolley, crane and balancers

Mobile pumps

pag. 18

Hoses

pag. 21

Accessories

pag. 22



ICU 05 A 10



ICU 05 A 30



**Mobile cutters**


model	ICU 10 A 10	ICU 10 A 20	ICU 10 A 30	ICU 10 A 40	ICU 10 A 70	ICU 40 A 20	ICU 40 A 30
art no	170.012.053	170.012.054	170.012.055	170.012.056	170.012.093	170.012.042	170.012.047
blade type	10 cable	20 short	30 standard	40 straight	70 GP	20 short	30 standard
working pressure bars/Mpa	500 / 50	500 / 50	500 / 50	500 / 50	500 / 50	500 / 50	500 / 50
blade opening mm	134	140	158	296 / 305	236 / 312	102	181
cutting force kN/t	242 / 24.6	234 / 23.9	246 / 25.1	264 / 26.9	264 / 26.9	594 / 60.6	644 / 65.7
spreading force kN/t	-	-	-	92 / 9.4	91 / 9.3	-	-
weight kg	17.3	15.5	15.3	15.4	16.1	19	19.4
dimensions (lxwxh) mm	735x230x177	671x230x177	696x230x177	739x230x177	751x230x177	720x270x218	775x270x218
temperature reach °C	-20 +80	-20 +80	-20 +80	-20 +80	-20 +80	-20 +80	-20 +80
oil content cm <sup>3</sup>	84	84	84	84	84	163	163

**Specifications / important properties**


- lightweight, user-friendly and ergonomic
- flat lever hinge pin construction enabling optimum reach
- fast for an efficient (production) process
- stays on torque due to permanent locking of central bolt
- various blade types available
  - cutting capacities up to 65.7 ton
  - quickly and easily exchangeable
- safe
  - tools can only be operated by using both hands
  - dead man's function
  - guarded moving parts

**Available on request**


- ICU 10 cutter with blade type 60 combi (toothed with spreading and squeezing points)
- cutters manufactured in conformity with customer specifications

**Accessories**


- torque wrench for central bolt
- service set (complete) in plastic carrying box
- pressure gauge connection set for checking the operating pressure
- leather protection sleeve for couplers between cutter and hose
- lubricants
- trolley, crane and balancers

Mobile pumps

pag. 18

Hoses

pag. 21

Accessories

pag. 22



ICU 10 A 30



ICU 40 A 30



**Stationary cutters**

model	ICU 20 S 10	ICU 20 S 20	ICU 20 S 30	ICU 20 S 40	ICU 20 S 70
art no	170.012.057	170.012.058	170.012.059	170.012.060	170.012.063
blade type	10 cable	20 short	30 standard	40 straight	70 GP
working pressure bars/Mpa	500 / 50	500 / 50	500 / 50	500 / 50	500 / 50
blade opening mm	134	140	158	296 / 305	236 / 312
cutting force kN/t	242 / 24.6	234 / 23.9	246 / 25.1	264 / 26.9	264 / 26.9
spreading force kN/t	-	-	-	92 / 9.4	91 / 9.3
weight kg	28.5	26.7	26.6	26.6	27.3
dimensions (lxwxh) mm	692x361x312	628x361x312	651x361x312	639x361x312	707x361x312
temperatue reach °C	-20 +80	-20 +80	-20 +80	-20 +80	-20 +80
oil content cm <sup>3</sup>	84	84	84	84	84

**Stationary cutters - horizontal assembled blades\***

model	ICU 20 SH 10	ICU 20 SH 20	ICU 20 SH 30	ICU 20 SH 40	ICU 20 SH 70
art no	170.012.050	170.012.065	170.012.066	170.012.067	170.012.070

**Stationary cutters - two hand operation\*\***

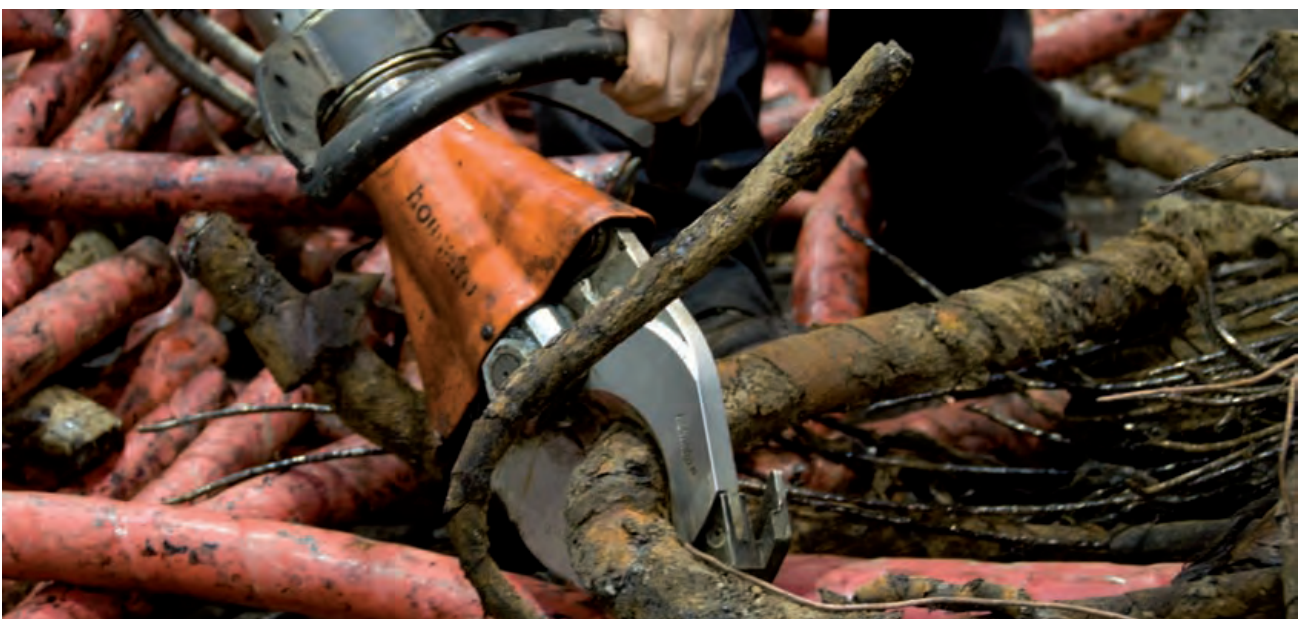
model	ICU 20 ST 10	ICU 20 ST 20	ICU 20 ST 30	ICU 20 ST 40	ICU 20 ST 70
art no	170.012.071	170.012.072	170.012.073	170.012.074	170.012.077

**Stationary cutters - horizontal assembled blades and two hand operation\*\***

model	ICU 20 STH 10	ICU 20 STH 20	ICU 20 STH 30	ICU 20 STH 40	ICU 20 STH 70
art no	170.012.078	170.012.079	170.012.080	170.012.081	170.012.084

\* technical details the same as standard, except dimensions

\*\* technical details the same as standard, except weight and dimensions





**Specifications / important properties** ↓

- user-friendly and ergonomic rotating mechanism
- flat lever hinge pin construction enabling optimum reach
- fast for an efficient (production) process
- stays on torque due to permanent locking of central bolt
- various blade types available
  - cutting capacities up to 26.9 ton
  - quickly and easily exchangeable
- safe
  - tools can only be operated by using both hands
  - two-hand operation (ICU 20 ST and ICU 20 STH)
  - dead man's function
  - guarded moving parts

**Available on request** ↓

- ICU 20 cutter with blade type 60 combi (toothed with spreading and squeezing points)
- cutters manufactured in conformity with customer specifications

**Accessories** ↓

- torque wrench for central bolt
- service set (complete) in plastic carrying box
- pressure gauge connection set for checking the operating pressure
- leather protection sleeve for couplers between cutter and hose
- lubricants
- trolley, crane and balancers

Mobile pumps

pag. 18

Hoses

pag. 21

Accessories

pag. 22



ICU 20 S 10



ICU 20 S 20



ICU 20 S 30



ICU 20 STH 40



**Mobile pumps** for mobile cutters ↓

model	IPU-M 2035 DRU	IPU-M 2035 PRU	IPU-M 06 W 6 SQ	IPU-M 06 W 6 SD	IPU-M 12 W 6 SD
art no	170.152.007	170.152.034	170.152.010	170.152.020	170.152.039
motor	electric 0.75 kW - 230 V - 50 Hz - 1 Ph	petrol 2.9 hp - 2.1 kW - 4 takt	electric 1.1 kW - 110 V - 50 Hz - 1 Ph	electric 1.1 kW - 230 V - 50 Hz - 1 Ph	electric 1.5 kW - 230 V - 50 Hz - 1 Ph
working pressure bars/Mpa	500 / 50	500 / 50	500 / 50	500 / 50	500 / 50
output < 200 bars l/min	2.4	2.4	1.6	1.6	3.2
output > 200 bars l/min	0.7	0.7	0.6	0.6	1.2
effective oil content l	2	2	6	6	6
weight kg	27.5	26	45	45	47
dimensions (lxwxh) mm	405x325x375	405x345x430	462x339x470	462x339x470	462x339x470

**Options** for mobile pump IPU-M 06 / 12 ↓

description	art no
protection frame	100.151.056
covering plate for protection frame	100.151.040
carrying handles	100.151.053
NB. the above options are not possible in combination with transport carriage 170.182.003	

**Specifications** / important properties ↓

- compact and lightweight
- 2-stage pump for higher operating speed
- durable, low maintenance
- standard provided with protection frame (IPU-M 2035 DRU / PRU)
- various options for IPU-M 06 / 12

**Available** on request ↓

- larger tank
- other voltages / frequencies

**Accessories** ↓

- IPU-M 06 / 12
  - protection frame
  - cover plate for protection frame
  - carrying handles



IPU-M 2035 DRU



IPU-M 12 W 6 SD with carrying handles



**Stationary pumps** for stationary cutters


model	IPU-S 12 W 50 D	IPU-S 12 W 25 E	IPU-S 12 W 50 E	IPU-S 18 W 25 E	IPU-S 18 W 50 E
art no	170.152.011	170.152.002	170.152.003	170.152.004	170.152.005
motor	electric 1.5 kW - 230 V - 50 Hz - 1 Ph	electric 1.5 kW - 400 V - 50 Hz - 3 Ph	electric 1.5 kW - 400 V - 50 Hz - 3 Ph	electric 2.2 kW - 400 V - 50 Hz - 3 Ph	electric 2.2 kW - 400 V - 50 Hz - 3 Ph
working pressure bars/Mpa	500 / 50	500 / 50	500 / 50	500 / 50	500 / 50
output < 200 bars l/min	3.2	3.2	3.2	5	5
output > 200 bars l/min	1.2	1.2	1.2	1.8	1.8
effective oil content l	50	25	50	25	50
weight kg	117	85	115	87	117
dimensions (lxwxh) mm	528x400x909	528x400x774	528x400x909	528x400x774	528x400x909

**Specifications** / important properties


- 2-stage pump for higher operating speed
- durable, low maintenance
- safe
  - protected against pressure drop by non-return valve in return port (prevents rebound when spreading)
  - in case of power failure, the system will become pressureless

**Available** on request


- larger tank
- other voltages / frequencies



IPU-S 12 W 25 E



IPU-S 12 W 50 E

**Extremely durable pumps**

for cutter type	mobile	stationary	stationary
model	IPU-M 32 S 25 E	IPU-S 32 S 25 E	IPU-S 32 S 50 E
art no	170.152.503	170.152.500	170.152.501
motor	electric 2.2 kW - 400 V - 50 Hz - 3 Ph	electric 2.2 kW - 400 V - 50 Hz - 3 Ph	electric 2.2 kW - 400 V - 50 Hz - 3 Ph
working pressure bars/Mpa	350 / 35	350 / 35	350 / 35
output < 350 bars l/min	3.2	3.2	3.2
effective oil content l	25	25	50
weight kg	72	85	115
dimensions (l x w x h) mm	528x400x651	528x400x774	528x400x909

**Specifications / important properties**

- especially for applications in which speed is more important than capacity
- lower operating pressure
  - 30% cutting force decrease
  - higher output (3.2 l/min. continuously)
- extremely durable, low maintenance
- safe
  - protected against pressure drop by non-return valve in return port (prevents rebound when spreading)
  - in case of power failure, the system will become pressureless

**Available on request**

- larger tank
- other voltages / frequencies



IPU-M 32 S 25 E



IPU-S 32 S 50 E



**Hoses for mobile cutters** ↓

model	IVL 3 SOU	IVL 5 SOU	IVL 10 SOU	IVL 15 SOU	IVL 20 SOU	IVL 25 SOU
art no	100.570.050	100.570.001	100.570.002	100.570.003	100.570.004	100.570.005
length	m 3	5	10	15	20	25

**Hoses for stationary cutters** ↓

model	IVL 5 SOU-EK	IVL 10 SOU-EK	IVL 20 SOU-EK
art no	170.570.001	170.570.002	170.570.014
length	m 5	10	20

**Specifications / important properties** ↓

- hoses for mobile cutters
  - 4:1 safety ratio
  - anti-kink springs on both sides
  - complete with couplers
- hoses for stationary cutters
  - 4:1 safety ratio
  - anti-kink springs on both sides
  - complete with couplers
  - standard with protection sleeves for hoses and couplers
  - with 12V cable for electrical push-button operation of cutter

**Available on request** ↓

- different lengths
- other colour



IVL 10 SOU



IVL 10 SOU-EK

**Service tools**

for model	ICU 05	ICU 10 / 20	ICU 40
torque wrench set for central bolt	-	170.182.001	-
torque wrench	150.581.671	150.581.671	150.581.671
ring spanner hex. size 36 for torque wrench	170.182.005	-	-
ring spanner hex. size 41 for torque wrench	-	170.183.001	-
ratched head for torque wrench	-	-	150.581.672
cap hex. size 41 for torque wrench	-	-	150.581.691
service set (complete), in synthetic case	170.013.099	170.013.095	-
pressure gauge set for checking working pressure	170.182.006	170.182.006	170.182.006
leather protection cover for connections between cutter and hose	130.183.012	130.183.012	130.183.012

**Lubricants**

description	art no
lubricants set, consists of:	170.013.021
• high-grade grease, 400 g	100.581.082
• brake cleaner (degreaser) Motip, 500 ml	170.000.252
• Teflon spray Sir John, 400 ml	150.581.095

Service set (complete), lubricant set, torque wrench and 2x ring spanner





**Transport systems** ↓

description	max. carrying capacity	art no
carriage for transport of a mobile cutter, pump and hose	-	170.182.003
crane for suspension of a mobile or stationary cutter dimensions: <ul style="list-style-type: none"> <li>• bottom plate: 1000 x 1000 mm</li> <li>• total length: 3190 mm</li> <li>• height of suspension point: 2700 mm</li> <li>• arm length: 2000 mm</li> </ul>	50 kg	130.182.199

**Suspension systems** ↓

description	max. carrying capacity	art no
balancer for mobile cutter (ICU 05)	7-10 kg	100.182.044
balancer for mobile cutter (ICU 10 / 40)	15-20 kg	130.182.039
balancer for stationary cutter (ICU 20)	25-30 kg	130.581.000

**Specifications / important properties** ↓

- transport carriage:
  - for a complete mobile set consisting of cutter, pump and hose; quickly and easily moveable by one person
  - with rubber tyres: suitable for inside and outside, suitable for various floor and terrain conditions
- crane:
  - provides a suspension point for your cutter where and when required. You are not dependent on existing suspension points or systems
  - with adjustable feet, can always be levelled
- balancer:
  - for virtually weightless operation of the cutter



Carriage



Stationary cutter fastened to crane by means of a balancer

Power is nothing  
if not mastered



# Hydraulic cable cutters

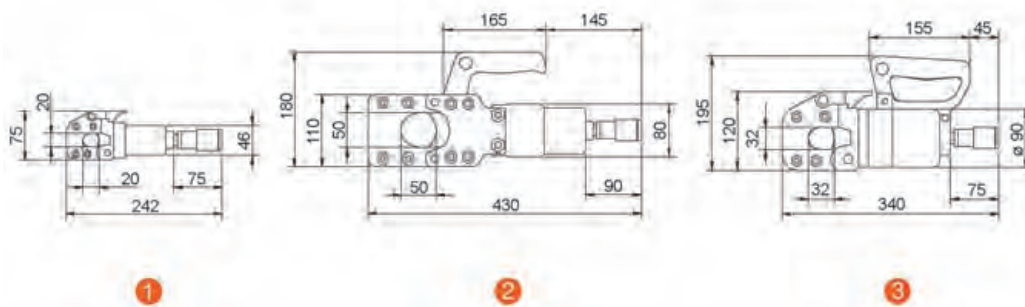


**Steel cable cutters - spring return**



model	HWC 16 U	HWC 20 U	HWC 32 U
art no	100.522.016	100.522.020	100.522.032
working pressure bars/Mpa	720 / 72	720 / 72	720 / 72
capacity kN/t	54.3 / 5.5	152.9 / 15.6	261.5 / 26.6
max. blade opening Ø	20 mm	50 mm	32 mm
capacity steel cable 6x7 Ø	16 mm	25 mm	32 mm
capacity steel cable 6x12 Ø	20 mm	30 mm	32 mm
capacity steel cable 6x19 Ø	20 mm	30 mm	32 mm
capacity solid steel Ø	13 mm	22 mm	25 mm
capacity reinforcing steel Ø	16 mm	19 mm	25 mm
oil content cm <sup>3</sup>	18	120	135
weight kg	2.3	8.5	7.5
maintenance set art no	100.523.001	100.523.101	100.523.201
recommended pump model	HTS 550 A	HTW 1800 B	HTW 1800 B

(1) HWC 16 U (2) HWC 20 U (3) HWC 32 U



**Specifications / important properties**



- compact
- lightweight
- spark-free
  - safe alternative for grinding
- quick and reliable
- usable in all positions
- hardened blade that can be sharpened

Hydraulic pumps  
Hydraulic hoses  
Pressure gauges

pag. 30  
pag. 36  
pag. 37



HWC 16 U



HWC 32 U

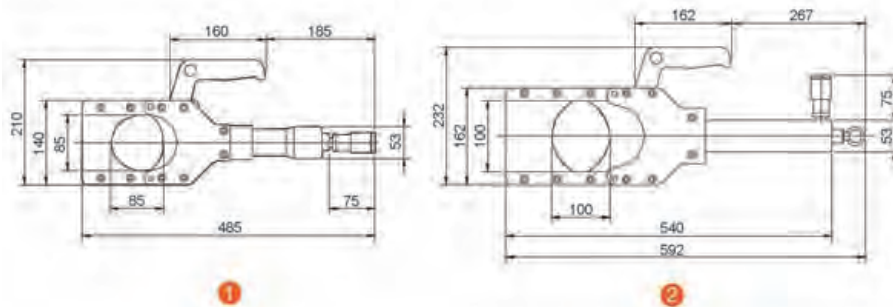


**Power cable cutters - spring return**



model	HCC 85 U	HCC 100 U
art no	100.522.085	100.522.100
working pressure bars/Mpa	720 / 72	720 / 72
capacity kN/t	50.9 / 5.2	90.5 / 9.2
max. blade opening Ø	85 mm	100 mm
capacity ground cable Ø	50 mm	75 mm
capacity telephone cable Ø	85 mm	100 mm
oil content cm <sup>3</sup>	65	140
weight kg	6.2	12.5
maintenance set art no	100.523.301	100.523.401
recommended pump model	HTW 700 A	HTW 1800 B

(1) HCC 85 U (2) HCC 100 U



**Specifications / important properties**



- compact
- lightweight
- spark-free
  - safe alternative for grinding
- quick and reliable
- usable in all positions
- hardened blade that can be sharpened

Hydraulic pumps

pag. 30

Hydraulic hoses

pag. 36

Pressure gauges

pag. 37



HCC 85 U

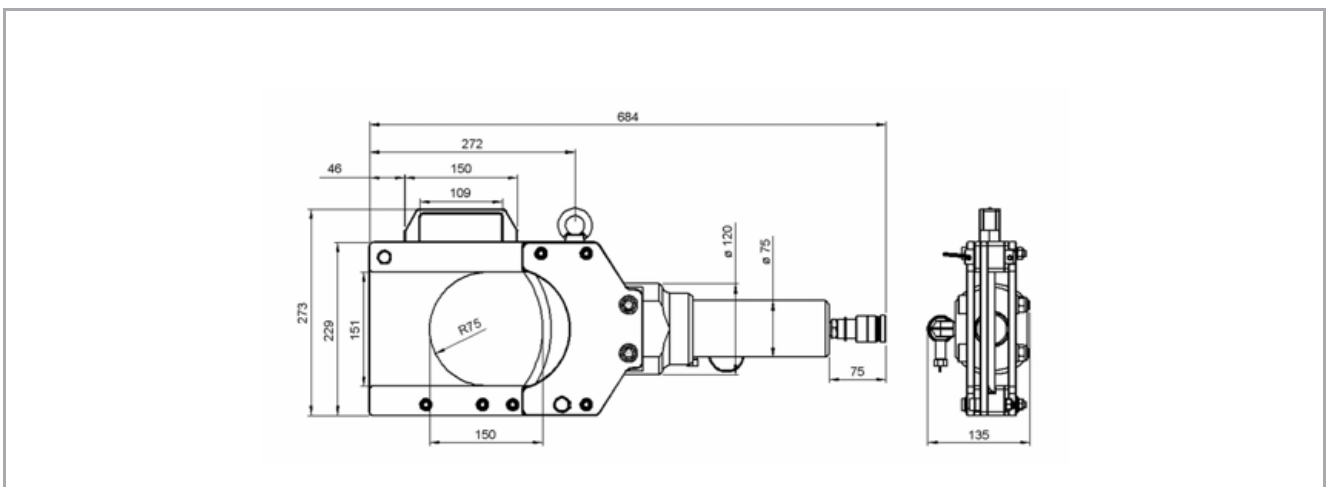


HCC 100 U

**Power cable cutter - hydraulic return**



model	HCC 150
art no	100.522.150
working pressure bars/Mpa	720 / 72
capacity kN/t	203.6 / 20.8
max. blade opening Ø	150 mm
capacity ground cable Ø	140 mm
capacity telephone cable Ø	150 mm
oil content* cm <sup>3</sup>	452 / 209
weight kg	24.9
maintenance set art no	100.013.041
recommended pump model	HTW 1800 B + M 321



**Specifications / important properties**



- compact
- lightweight
- spark-free
  - safe alternative for grinding
- quick and reliable
- usable in all positions
- hardened blade that can be sharpened

Hydraulic pumps

pag. 30

Hydraulic hoses

pag. 36

Pressure gauges

pag. 37



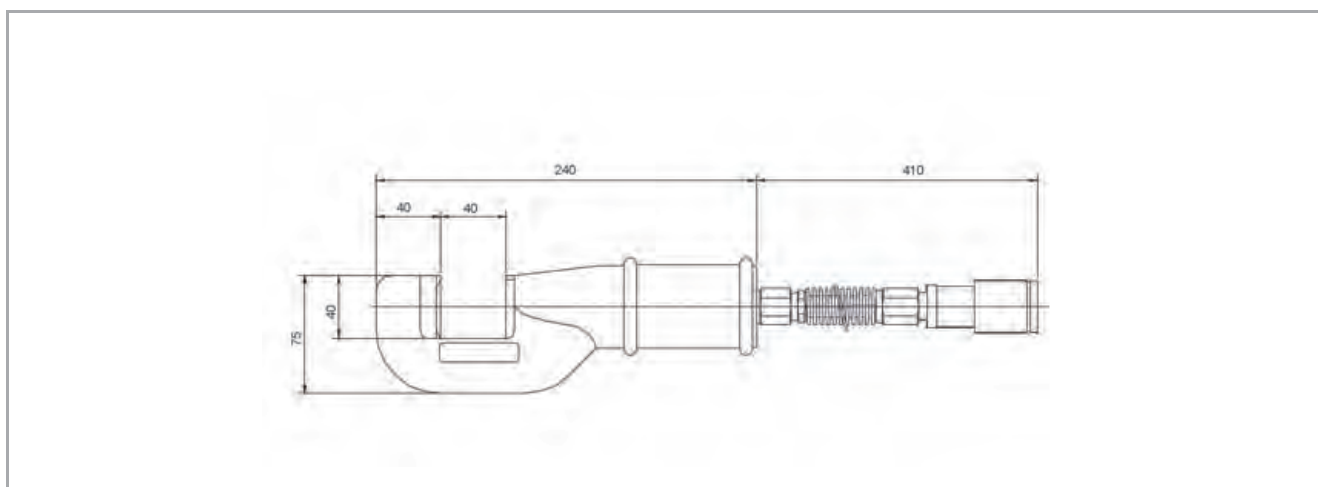
HCC 150 U



**Mini cutter - spring return**



model	HMC 8 U	
art no	100.102.032	
working pressure bars/Mpa	720 / 72	
max. cutting force kN/t	78.5 / 8	
max. blade opening mm	40	
max. Ø reinforcing steel mm	16	
capacity steel strip mm	35 x 4	
oil content cm <sup>3</sup>	43	
weight kg	3	
maintenance set art no	150.013.178	
recommended pump model	HTS 550 A	



**Specifications / important properties**



- compact
- lightweight
- convenient in small spaces and at difficultly accessible places
- spark-free
  - safe alternative for grinding

Hydraulic pumps

pag. 30

Hydraulic hoses

pag. 36

Pressure gauges

pag. 37



HMC 8 U



HMC 8 U detail

**Hand pumps - single-acting**

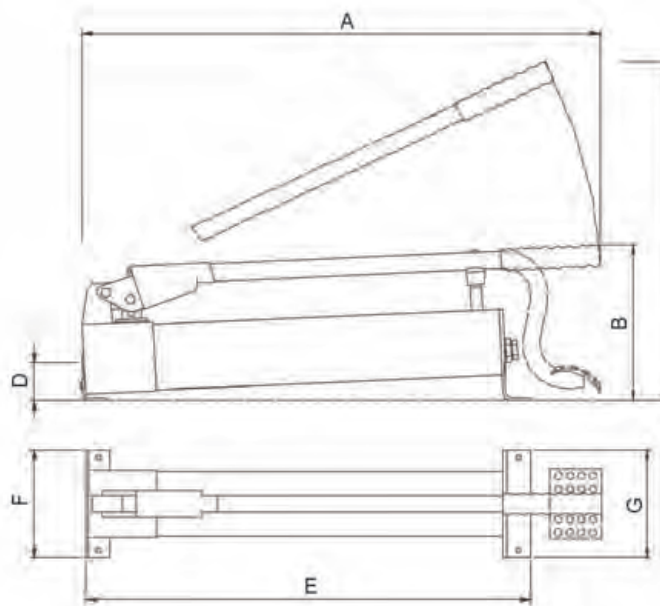


model	HTS 550 A	HTW 300 B	HTW 700 A	HTW 2200 A
art no	100.541.022	100.441.003	100.441.013	100.542.003
working pressure bars/Mpa	720 / 72	720 / 72	720 / 72	720 / 72
max. operating force kg	50	36.5	52	40
output 1 <sup>st</sup> stage cm <sup>3</sup> /stroke	3	5	11	13
output 2 <sup>nd</sup> stage cm <sup>3</sup> /stroke	-	1	2	2.5
max. pressure 1 <sup>st</sup> stage bars	720	30	30	30
effective oil content cm <sup>3</sup>	550	300	700	2200
weight incl. oil kg	6	4	8	13.3
maintenance set art no	150.113.251	100.443.066	100.443.494	100.543.100

**Hand pumps - single-acting (dimensions)**



model	HTS 550 A	HTW 300 B	HTW 700 A	HTW 2200 A
A	540	500	600	730
B	135	115	170	215
C	450	435	600	675
D	42	25	53	52
E	475	375	480	625
F	135	90	135	145
G	100	70	115	105





**Specifications / important properties** ↓

- 1-stage pumps:
  - suitable for small volumes
  - low speed
  - low costs
- 2-stage pumps:
  - suitable for large volumes
  - with low pressure up to 9 x faster than 1-stage pumps
  - automatic change over from first to second stage
- compact and lightweight
- little maintenance
- large oil output per stroke
- provided with dipstick (HTW 300 B and HTW 700 A)
- connection: 3/8" NPT, female
- base plate standard with HTW 2200 A

Hydraulic hoses  
Pressure gauges

pag. 36  
pag. 37



HTS 550 A



HTW 300 B



HTW 700 A



HTW 2200 A

**Hand / foot pumps** - single- or double-acting

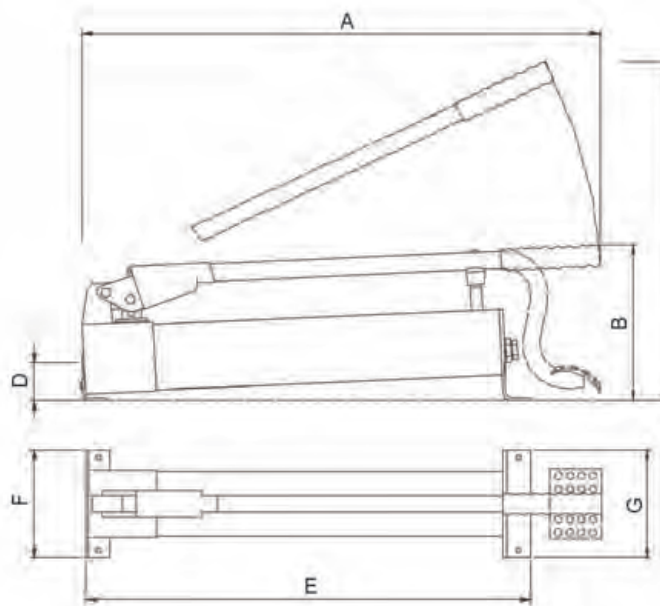


model	H/FTW 1800 B	H/FTW 2800 B	H/FTW 5800 B	H/FTW 8800 B
art no	100.141.005/008	100.141.002/009	100.141.004/010	100.141.006/007
working pressure bars/Mpa	720 / 72	720 / 72	720 / 72	720 / 72
max. operating force kg	36	36	36	36
output 1 <sup>st</sup> stage cm <sup>3</sup> /stroke	28	28	28	28
output 2 <sup>nd</sup> stage cm <sup>3</sup> /stroke	2.3	2.3	2.3	2.3
max. pressure 1 <sup>st</sup> stage bars	45	45	45	45
effective oil content cm <sup>3</sup>	1800	2800	5800	8800
weight incl. oil kg	9.3	11.5	15	22.5
maintenance set art no	150.113.254	150.113.254	150.113.254	150.113.254

**Hand / foot pumps** - single- or double-acting (dimensions)



model	H/FTW 1800 B	H/FTW 2800 B	H/FTW 5800 B	H/FTW 8800 B
A	690	690	690	690
B	215	215	215	215
C	640	640	640	640
D	57	57	57	57
E	590	590	590	590
F	140	140	180	235
G	140	140	180	235





**Specifications / important properties** ↓

- standard suitable for single-acting tools and cylinders
- when double-acting valve (M 321) mounted, suitable for double-acting tools and cylinders
- compact and lightweight
- low maintenance
- suitable for large volumes
- low force required while pumping
  - first stage becomes entirely pressureless after switching to second stage
- automatic change over from first to second stage
- large oil output per stroke
- provided with dipstick
- connection: 3/8" NPT, female

**Accessories** ↓

- double-acting valve M 321, art no 100.181.321
- base plate for single-acting pumps, art no 150.143.001 + 4x 150.543.001
- base plate for double-acting pumps, art no 100.143.150 + 4x 150.543.001

Hydraulic hoses  
Pressure gauges

pag. 36  
pag. 37



HTW 1800 B with M 321 valve



FTW 1800 B



HTW 2800 B



HTW 8800 B

**Compact electric pump - single-acting**

model	EHW 1650 RC
art no	100.551.001
working pressure bars/Mpa	720 / 72
output 1 <sup>st</sup> stage l/min	2
output 2 <sup>nd</sup> stage l/min	0.25
effective oil content l	1.65
motor	0.35 kW - 230 V - 50/60 Hz
max. power motor watt	350
charge remote control V	15
weight kg	11.6
dimensions (lxwxh) mm	416x190x222
maintenance set art no	100.553.116
option 1	<b>Needle valve</b> for controlled oil return. Consisting of needle valve (art no 100.181.130), connecting block (art no 100.183.340), nipple (art no 100.183.341) and plug (art no 100.581.105).
option 2	<b>Pressure gauge</b> for reading the pressure. Consisting of pressure gauge (art no 100.581.036), pressure gauge protection cover (art no 350.581.152), connecting block (art no 100.183.340), nipple (art no 100.183.341) and reducing bush (art no 100.581.128).
option 3	<b>Needle valve and pressure gauge.</b> Consisting of needle valve (art no 100.181.130), 2x connecting block (art no 100.183.340), nipple (art no 100.183.341), nipple (art no 100.581.101), pressure gauge (art no 100.581.036), pressure gauge protection cover (art no 350.581.152), reducing bush (art no 100.581.128) and plug (art no 100.581.105).

**Specifications / important properties**

- usable at any place because of compact construction
- lightweight
- for both horizontal and vertical use
- perfectly suitable for cable cutters and nut crackers
- suitable for single-acting tools and cylinders
- connection: 3/8" NPT, female
- standard with waterproof remote control with 2.3 m long electric cord

Hydraulic hoses

pag. 36



EHW 1650 RC



EHW 1650 RC and option 3

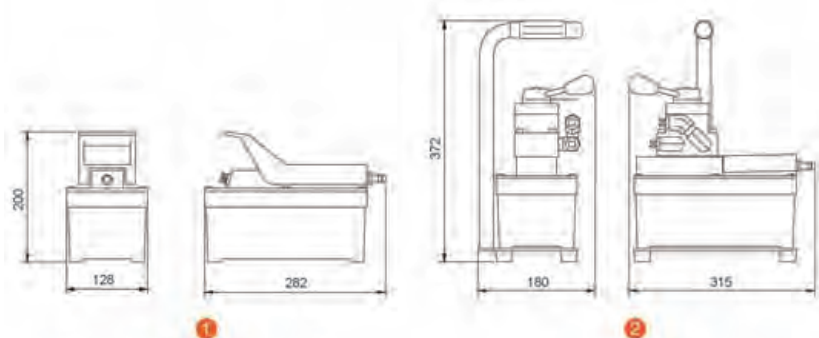


**Compact air pumps - single- or double-acting**



model	AHS 1400 FS	AHS 1400 D
art no	100.602.001	100.602.002
working pressure bars/Mpa	720 / 72	720 / 72
suitable for	single-acting tools	double-acting tools
air pressure bars	0 - 8.5	0 - 8.5
output unloaded l/min	0.96	0.96
output loaded l/min	0.41	0.41
air consumption unloaded l/min	700	700
air consumption loaded l/min	580	580
effective oil content l	1.4	1.4
weight kg	6.5	9.6
maintenance set art no	100.603.001	100.603.001

(1) AHS 1400 FS (2) AHS 1400 D



**Specifications / important properties**



- usable at any place because of compact construction
- lightweight
- safe
  - when the air pressure is lost, the oil pressure is maintained (AHS 1400 FS)
- spark-free
  - suitable for explosive rooms
- low-noise because of built-in silencer
- energy-saving
  - stops as soon as the maximum pressure has been reached
- AHS 1400 D unsuitable for lifting
- connection: 3/8" NPT, female

Hydraulic hoses  
Pressure gauges

pag. 36  
pag. 37



AHS 1400 FS



AHS 1400 D

**Single hoses - 720 bars**



model	H 1 SO	H 2 SO	H 3 SO	H 4 SO	H 5 SO	H 6 SO	H 8 SO	H 10 SO	H 15 SO	H 20 SO
art no	100.571.101	100.571.102	100.571.103	100.571.104	100.571.105	100.571.106	100.571.108	100.571.110	100.571.115	100.571.120
length m	1	2	3	4	5	6	8	10	15	20

**Standard hoses - 720 bars**



model	H 1 SOU	H 2 SOU	H 3 SOU	H 4 SOU	H 5 SOU	H 6 SOU	H 8 SOU	H 10 SOU	H 15 SOU	H 20 SOU
art no	100.572.101	100.572.102	100.572.103	100.572.104	100.572.105	100.572.106	100.572.108	100.572.110	100.572.115	100.572.120
length m	1	2	3	4	5	6	8	10	15	20

**Extension hoses - 720 bars**



model	VL 1 SOU	VL 2 SOU	VL 5 SOU	VL 10 SOU	VL 15 SOU	VL 20 SOU
art no	100.572.301	100.572.302	100.572.305	100.572.310	100.572.315	100.572.320
length m	1	2	5	10	15	20

**Specifications / important properties**



- single hoses with:
  - 3/8" NPT male screw thread on both sides
  - anti-kink springs on both sides
  - 4:1 safety ratio
  - colour: orange
- standard hoses provided with:
  - idem single hoses
  - coupler male, A 119 on 1 side
- extension hoses with:
  - idem single hoses
  - coupler male, A 119 on 1 side
  - coupler female, A 118 on the other side

**Available on request**



- different lengths
- other colour

(1) Single hose (2) Standard hose (3) Extension hose



**Pressure gauges - 720 bars**



image	description	model	art no
	universal pressure gauge <ul style="list-style-type: none"> <li>0 - 720 bars</li> <li>housing Ø 100 mm</li> <li>connection: ½" NPT male</li> </ul>	A 500	100.582.500
	rubber protection cover <ul style="list-style-type: none"> <li>suitable for Ø 100 mm pressure gauges</li> </ul>	-	350.581.160
	pressure gauge plug-in set <ul style="list-style-type: none"> <li>connection: couplers A 118 - A 119</li> </ul>	A 111 U	100.582.111
	pressure gauge <ul style="list-style-type: none"> <li>0 - 720 bars</li> <li>housing Ø 60 mm</li> <li>connection: ¼" NPT male</li> </ul>	A 150	100.581.036
	rubber protection cover <ul style="list-style-type: none"> <li>suitable for Ø 60 mm pressure gauges</li> </ul>	-	350.581.152
	pressure gauge digital <ul style="list-style-type: none"> <li>0 - 720 bars</li> <li>peak pressure memory</li> <li>connection: 1/4" BSP male</li> </ul>	-	150.581.091

**Pressure gauges with scale division in ton - 720 bars**






pressure gauge	pressure gauge	1 <sup>st</sup> scale from - to	1 <sup>st</sup> scale division per mark	2 <sup>nd</sup> scale from - to	2 <sup>nd</sup> scale division per mark	3 <sup>rd</sup> scale from - to	3 <sup>rd</sup> scale division per mark	4 <sup>th</sup> scale from - to	4 <sup>th</sup> scale division per mark
model	art no	t	kg	t	kg	t	kg	t	kg
A 501	100.582.501	0 - 5	100	0 - 11	200	0 - 21	500	-	-
A 502	100.582.502	0 - 25	500	0 - 33	500	0 - 51	1000	-	-
A 503	100.582.503	0 - 52	1000	0 - 77	1000	-	-	-	-
A 504	100.582.504	0 - 105	2000	0 - 160	2000	-	-	-	-
A 505	100.582.505	0 - 210	5000	0 - 305	5000	-	-	-	-
A 506	100.582.506	0 - 509	10000	0 - 382	10000	-	-	-	-
A 507	100.582.507	0 - 6	100	0 - 13	200	0 - 23	500	-	-
A 508	100.582.508	0 - 30	500	0 - 47	1000	0 - 63	1000	0 - 113	2000
A 509	100.582.509	0 - 63	1000	0 - 104	2000	-	-	-	-
A 510	100.582.510	0 - 12	200	0 - 31	500	0 - 63	2000	0 - 98	2000



**Pressure gauge adaptors - 720 bars**



image	description	model	art no
	pressure gauge connecting block for hand and vari pumps <ul style="list-style-type: none"> <li>• suitable for single-acting hand pumps and single-acting control valve M 311</li> <li>• provided with: 1 x 3/8" NPT female, 1 x 3/8" NPT male and 1/2" NPT female for pressure gauge</li> <li>• pressure gauge can be placed in an angle of 45° using elbow art no 100.581.240</li> </ul>	A 108	100.181.108
	pressure gauge connecting block for H/FTW *800 pumps <ul style="list-style-type: none"> <li>• suitable for double-acting control valve M 321</li> <li>• supplies pressure to port A or B, dependent on mounting</li> <li>• provided with: 1 x 1/2" NPT female</li> </ul>	M 306	100.182.306
	pressure gauge connecting block for H/FTW *800 pumps <ul style="list-style-type: none"> <li>• suitable for double-acting control valve M 321</li> <li>• supplies pressure to port A or B, dependent on which is highest</li> <li>• provided with: 1 x 1/2" NPT female</li> </ul>	M 307	100.182.307

**Specifications / important properties**



- pressure gauges:
  - pointer damped with glycerine
  - stainless steel
  - protection cover available for all models (except digital pressure gauge)



A 108, A 500 and hose mounted on pump



Pump, M 321, M 307 and A 500 (seperate: M 306 and A 500)

# Electrohydraulic cutters



## Reinforcing steel cutters ↓

model	TBC-16E1	TBC-16E1	TSC-20E1	TSC-32E1
art no	220.000.001	220.000.013	220.000.003	220.000.005
cutting principle	obtuse	obtuse	shove off	shove off
connection	230 V - 50 Hz - 1150 W	110 V - 50 Hz - 1150 W	230 V - 50 Hz - 1150 W	230 V - 50 Hz - 1150 W
capacity reinforcing steel Ø	16 mm	16 mm	20 mm	32 mm
cutting force kN/t	98 / 10	98 / 10	294 / 30	490 / 50
weight kg	9.1	9.1	14	27
dimensions (lxwxh) mm	520x120x130	520x120x130	450x140x235	560x335x180

### Specifications / important properties ↓

- quick and easy operation
  - one-hand operation
  - automatic return
- safe
  - no sparks
  - no danger of fire
- low-noise compared with grinding
- exchangeable, durable blades

### Available on request ↓

- extra hardened blades for TBC-16E1
  - top blade, art no 220.200.003
  - bottom blade, art no 220.200.004



TBC-16E1



TSC-32E1



**Prestressing strand cutter** 

model	TST-19E1	
art no	220.000.006	
cutting principle	shove off	
connection	230 V - 50 Hz - 1150 W	
capacity strands	Ø	19 mm
cutting force	kN/t	294 / 30
weight	kg	14.8
dimensions (lxwxh)	mm	450x140x235

**Specifications / important properties** 

- quick and easy operation
  - one-hand operation
  - automatic return
- maximum control because of hydraulic operation
- safe
  - turned strands do not fray
- exchangeable, durable blades




TST-19E1

**Multifunctional tool** 

type	drive module		
model	TI-20E		
art no	220.000.009		
connection	230 V - 50 Hz - 1150 W		
cylinder capacity	kN/t	294 / 30	
weight	kg	13.7	
dimensions (lxwxh)	mm	385x240x180	

**Multifunctional tool accessories** 

type	knife head	cutting head	bending head	cutting head
model	TS-14	TS-20	TBE-20	TS-18
art no	220.100.001	220.100.002	220.100.004	220.100.005
cutting principle	obtuse	shove off	-	shove off
capacity reinforcing steel	∅ 14 mm	20 mm	20 mm	-
capacity strands	∅ -	-	-	18 mm
weight	kg 4.9	4.7	5.3	3.6
dimensions (lxwxh)	mm 230x110x110	135x112x118	193x90x110	140x110x120

**Specifications / important properties** 

- four different exchangeable heads available for TI-20E
- quick and easy operation
  - one-hand operation
  - automatic return
- maximum control because of hydraulic operation
- low-noise compared with grinding
- safe
  - no sparks
  - no danger of fire
  - turned strands do not fray (TS 18)



TI-20E with four exchangeable heads

# Service



holmatro





**Industrial  
equipment**

**holmatro®**

**holmatro**  
mastering po

**holmatro**  
mastering power

Holmatro  
Industrial equipment  
PO Box 12, 450 1A  
Holmatro is the leader in  
[www.holmatro.com](http://www.holmatro.com)

T: 01 0162 - 58 92 00  
F: 01 0162 - 52 24 82

BB22R66

**CertiSafe**



## Service

As a manufacturer of high-pressure hydraulic equipment for industrial companies, we are very well aware of the importance of thorough maintenance ; for an optimum life cycle of your tool, and also for the safety of the people using them. Holmatro is the service specialist par excellence.

Holmatro's service programme contains the following components:

- **repair**
- **periodical maintenance**
- **testing and certification**

Whether it involves high-pressure hydraulic, mechanical or pneumatic equipment, Holmatro products or other brands, we are happy to assist you to compose a customised service solution.



**Also available** in the industrial product range of Holmatro:



INDUSTRIAL TOOLS



SYSTEMS & SPECIALS



FOUNDRY TOOLS



MARINE HYDRAULICS





**Holmatro Netherlands** | Industrial Equipment

P.O. Box 66  
4940 AB Raamsdonkveer  
The Netherlands  
T +31 (0)162 - 75 15 00  
F +31 (0)162 - 75 15 99  
E [industry@holmatro.com](mailto:industry@holmatro.com)

**Holmatro USA**

Glen Burnie, U.S.A.  
E [industrial@holmatro-usa.com](mailto:industrial@holmatro-usa.com)

**Holmatro Poland**

Warsaw, Poland  
E [info@holmatro.pl](mailto:info@holmatro.pl)

**Holmatro China**

Suzhou, China  
E [china@holmatro.com](mailto:china@holmatro.com)

[www.holmatro.com](http://www.holmatro.com)



Scan the Holmatro  
company movie

©Holmatro® 00 0612 980.000.398

Disclaimer

While the greatest care has been devoted to the content, it is possible that the information in this printed matter is incorrect or incomplete. Holmatro N.V. and its affiliated companies (hereafter: Holmatro) cannot be held liable in any way for the consequences of activities undertaken based on this printed matter. If you have any doubts about the correctness or completeness of the information, you should contact Holmatro phone number: +31 (0)162-588200. Nothing from this printed matter can be copied and/or made public in any way without the explicit authorisation of Holmatro.

CIS (Holmatro) Ltd, 25 Hatton Close, Moulton Park Ind. Est., Northampton, NN3 6SL, UK. Tel: +44(0)1604 642328

Web:- [www.700bar.com](http://www.700bar.com) Mail:- [sales@700bar.com](mailto:sales@700bar.com)